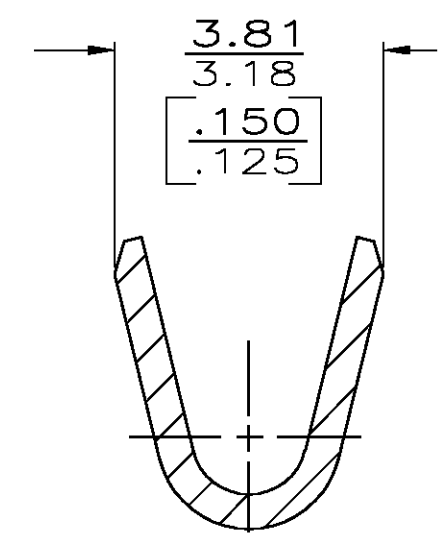
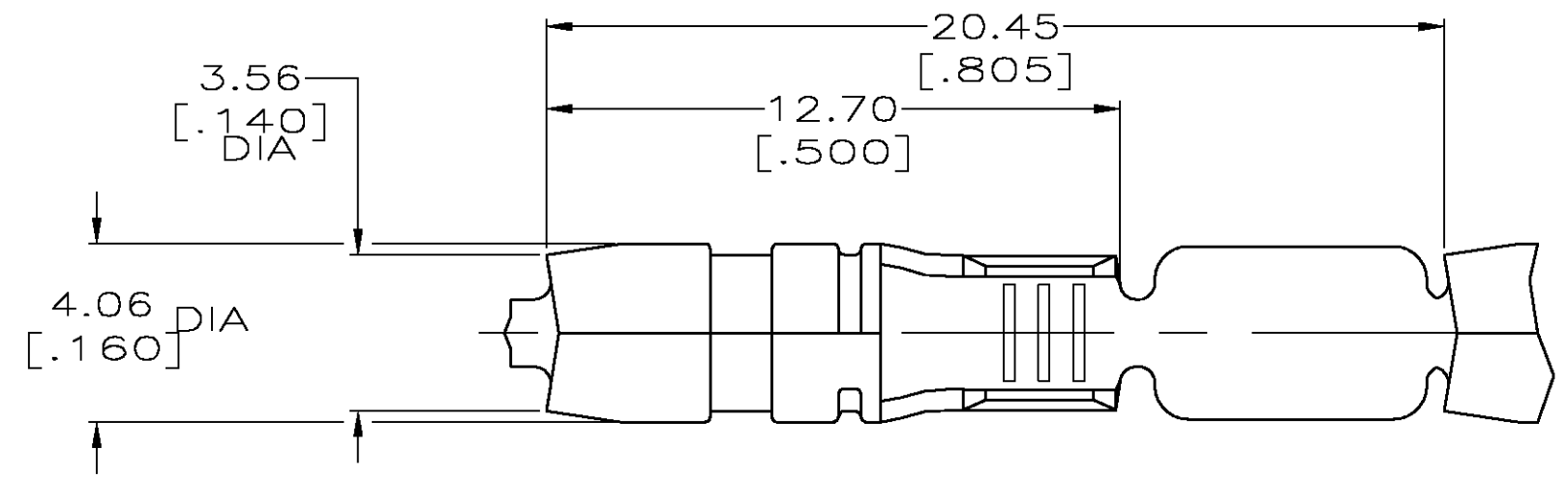


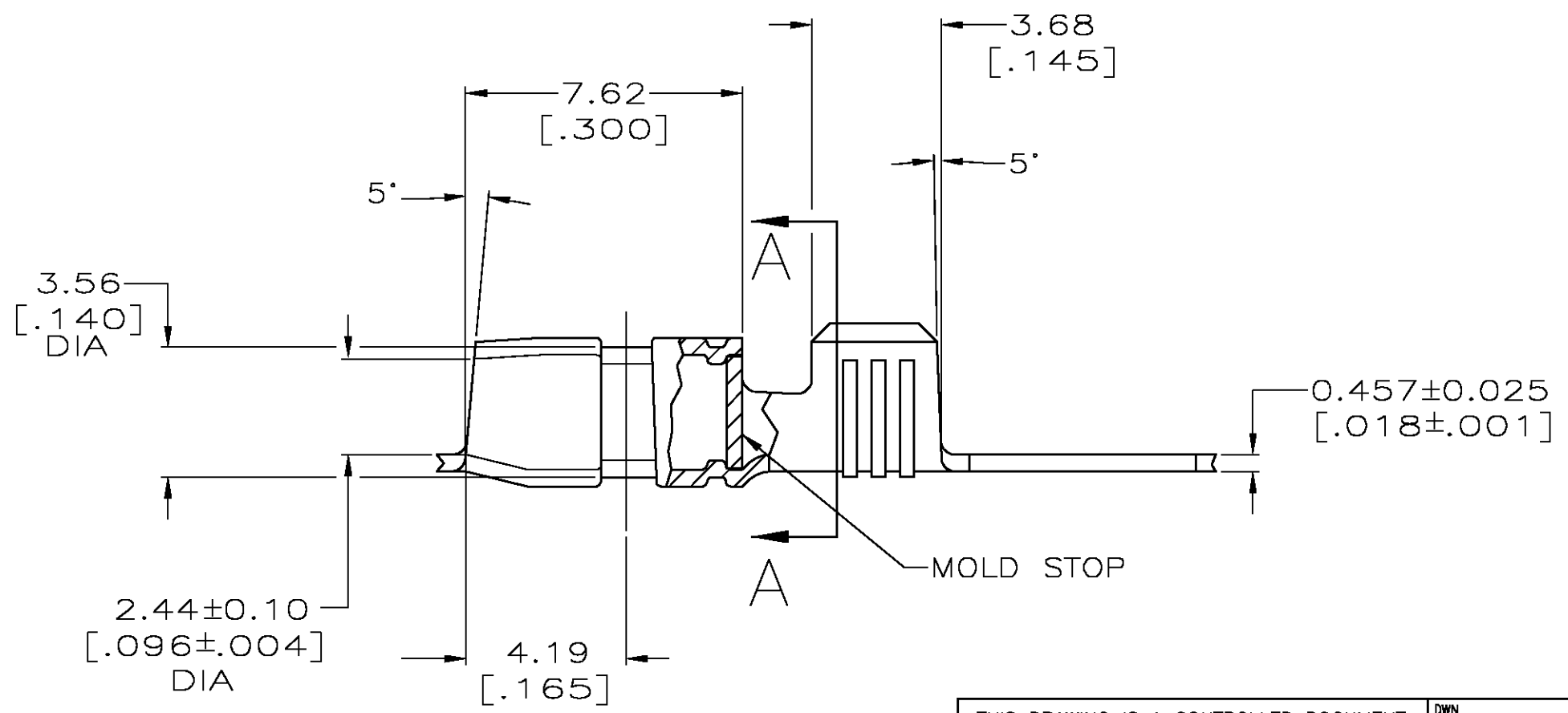
THIS DRAWING IS UNPUBLISHED. RELEASED FOR PUBLICATION  
 © COPYRIGHT BY TYCO ELECTRONICS CORPORATION. ALL RIGHTS RESERVED.

LOC	DIST	REVISIONS			
P	LTR	DESCRIPTION	DATE	DWN	APVD
AF	50	N	REV PER 0G3A-0808-04	18JAN05	JR DD

- 1 CONTINUOUS STRIP ON REEL.
- 2 WIRE SIZE IS [18-14] AWG
- △ 3 0.003302 [.000130] MAX PRE-TIN PL.



SECTION A-A  
SCALE 10:1



61802-1  
PART NO.

THIS DRAWING IS A CONTROLLED DOCUMENT.		DWN PHILLIP M. FORTNEY 30/SEP/94	Tyco Electronics Corporation Harrisburg, Pa 17105-3608	
DIMENSIONS: INCHES		CHK JEFF R. RUTH 30/SEP/94	NAME SHUR PLUG, 3.96 [.156] DIA	
TOLERANCES UNLESS OTHERWISE SPECIFIED: 1'		APVD R KUZO 30/SEP/04	PRODUCT SPEC -	
0 PLC ± -		APPLICATION SPEC -	SIZE A3	CAGE CODE 00779
1 PLC ± -		WEIGHT -	DRAWING NO C-61802	RESTRICTED TO -
2 PLC ± 0.25 [.010]		CUSTOMER DRAWING		
3 PLC ± -		SCALE 6:1	SHEET 1 OF 1	REV N
4 PLC ± -				
ANGLES ± -				
FINISH - △ 3				
MATERIAL 081 BRASS				